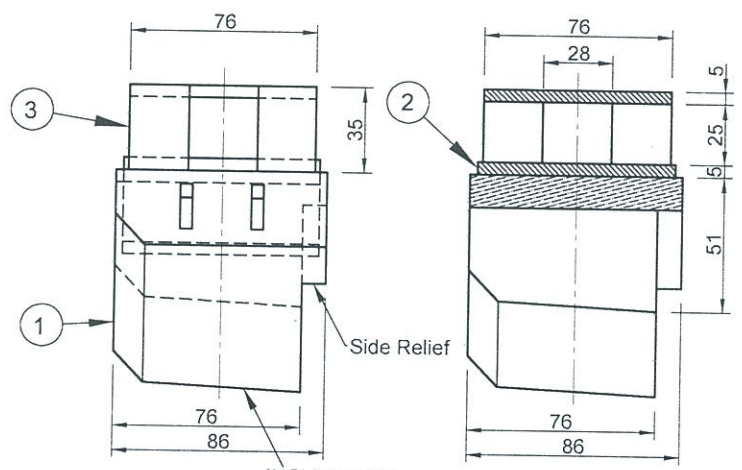
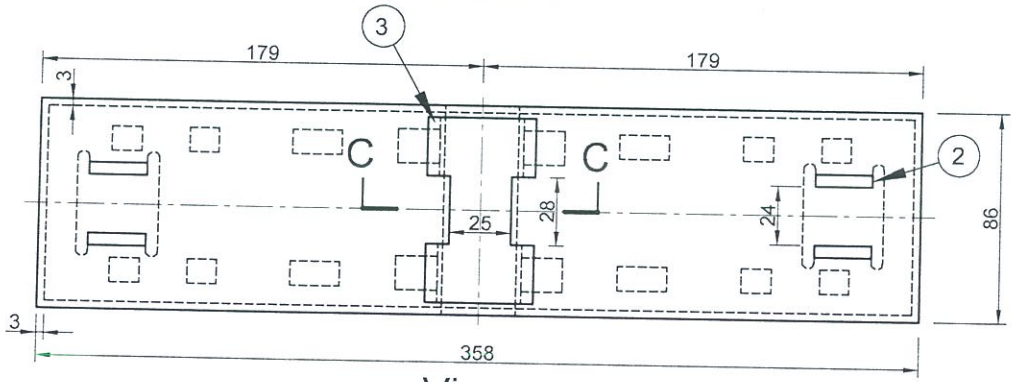


View Y

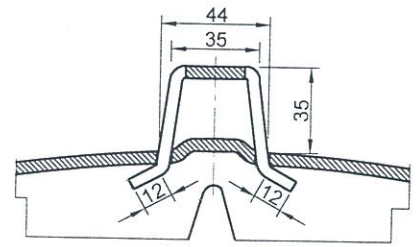


End View

Section B-B



View X



Section C-C

BRAKE BLOCK MATERIAL:

REINFORCED FIBER, ORGANIC/INOANIC  
FILLER AND RESIN BOUND

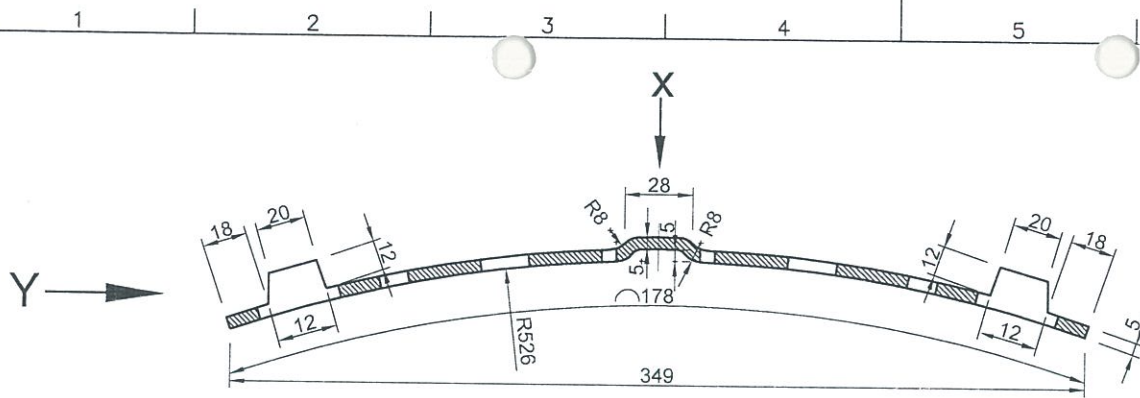


ITEM	DESCRIPTION	NO./WGN	MTL.	REF.DRG. NO.
③	SECURING PLATE	8	M.S.	
②	BACK PLATE	8	5mm MS plt	
①	COMPOSITE BLOCK	8		

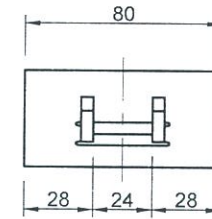
  

UGANDA RAILWAYS CORPORATION				
NAME	DATE	TITLE		
TRACED			COMPOSITE BRAKE BLOCK ASSEMBLY FOR LOCOMOTIVES	
DRAWN	SAM MUGOYA	14/03/18		
CHECKED	N. KAKOZA		SCALE	DRAWING NO.
APPROVED	P.C. KATNEBAZE		1:2	UR-G-BK-012

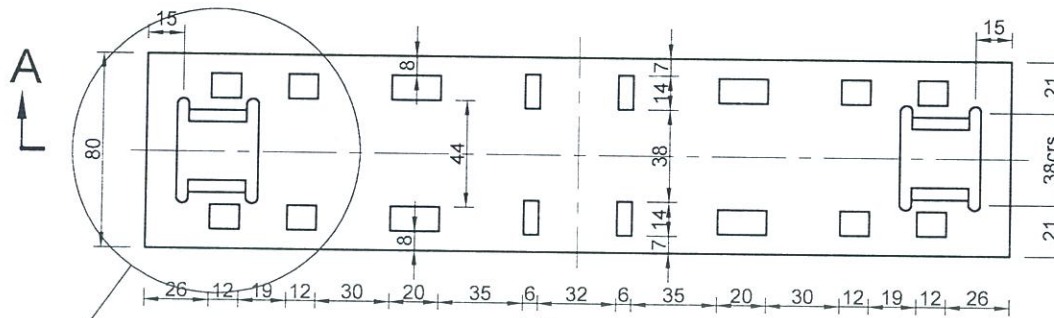
FNAME  
 REYDATE  
 USER



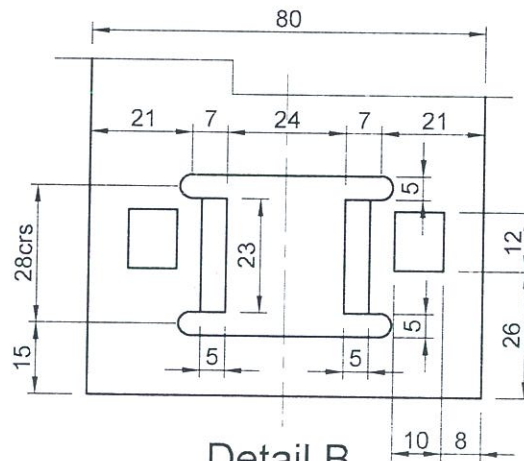
Sectional A-A



View Y



View x

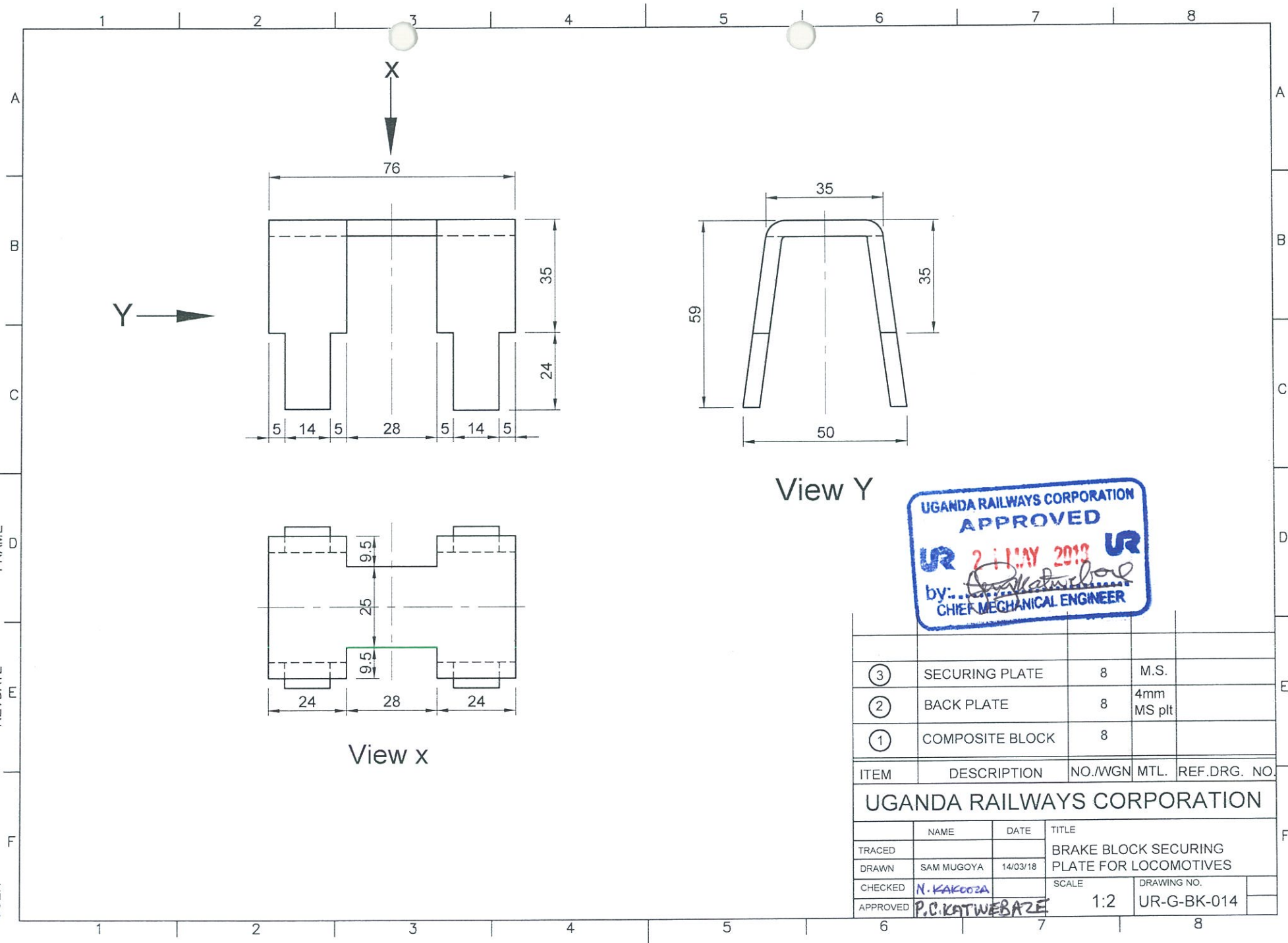


Detail B



1	BACK PLATE	8	5mm MS plt	
ITEM	DESCRIPTION	NO./WGN	MTL.	REF.DRG. NO.
<b>UGANDA RAILWAYS CORPORATION</b>				
TRACED	NAME	DATE	TITLE	
DRAWN	SAM MUGOYA	14/03/18	COMPOSITE BRAKE BLOCK BACK PLT FOR 73XXX LOCOS	
CHECKED	N. KATOYA		SCALE	DRAWING NO.
APPROVED	P. C. KATWESAZE		1:2	UR-G-BK-013

FNAME  
 REVDATE  
 USER



UGANDA RAILWAYS CORPORATION  
 APPROVED  
 UR 2 | MAY 2018 UR  
 by: *P.C. Katwebaze*  
 CHIEF MECHANICAL ENGINEER

③	SECURING PLATE	8	M.S.
②	BACK PLATE	8	4mm MS plt
①	COMPOSITE BLOCK	8	

ITEM	DESCRIPTION	NO./WGN	MTL.	REF.DRG. NO.
<b>UGANDA RAILWAYS CORPORATION</b>				
TRACED	NAME	DATE	TITLE	
DRAWN	SAM MUGOYA	14/03/18	BRAKE BLOCK SECURING PLATE FOR LOCOMOTIVES	
CHECKED	N. KAKOZA		SCALE	DRAWING NO.
APPROVED	P.C. KATWEBAZE		1:2	UR-G-BK-014

FNAME  
 REVDATE  
 USER